

Mesh Height/m	Total Height including Barb Wire/m
1.2	1.7
1.5	2.0
1.8	2.3
2.0	2.5
2.4	2.9
3.0	3.5

Description :
Pipe and Chainlink Mesh Fence

Material :
Black Steel

Finish :
Fence Posts-Hot Dip Galvanised to AS/NZS 4680:2006

Drawn : KSB

Notes :

- Powder coating Options available
- Footing dimensions subject to change to suit ground conditions

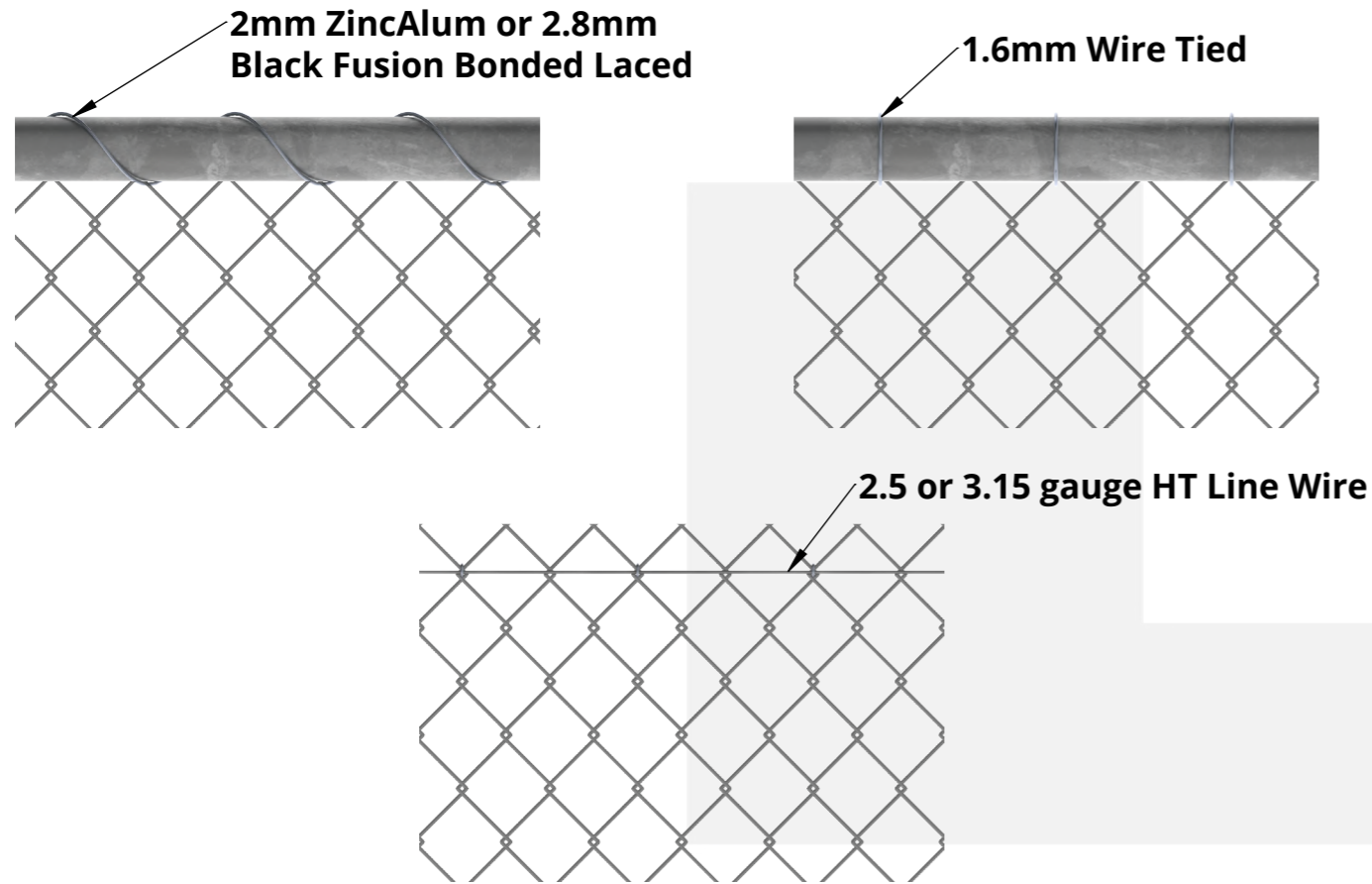
Specs :

- Post Size:50NB Corner Posts
- 40NB Intermediate Posts

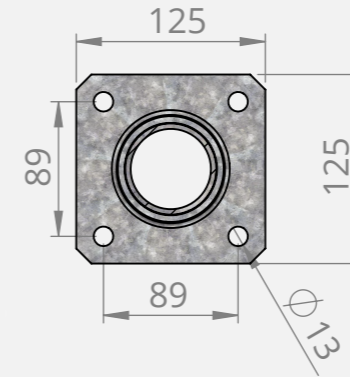


Connection Details:

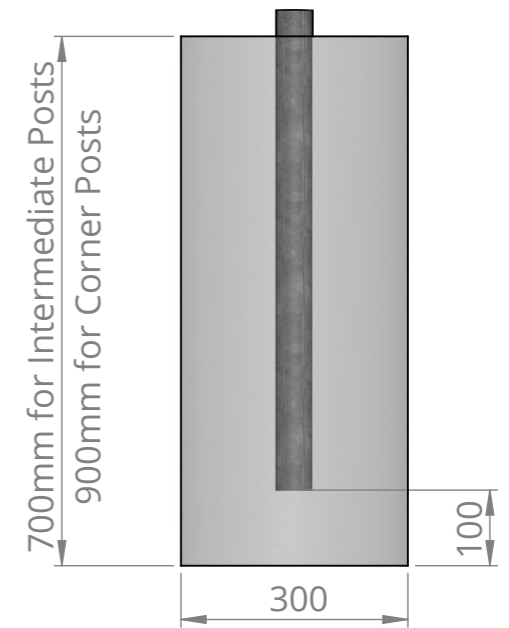
Post Footing Options:



TYP Baseplated Post Option

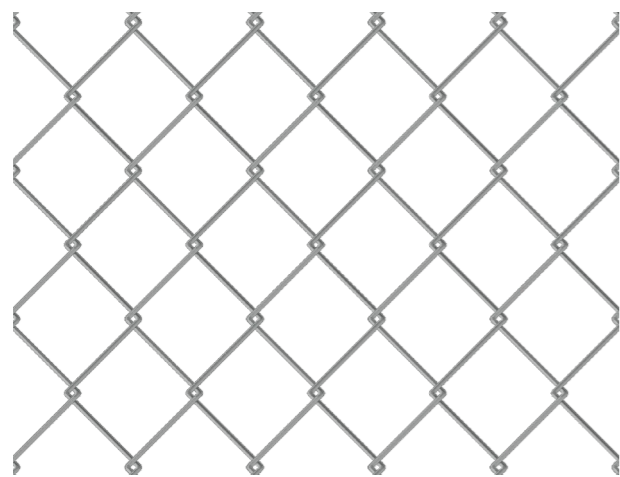


TYP Inground Post Option

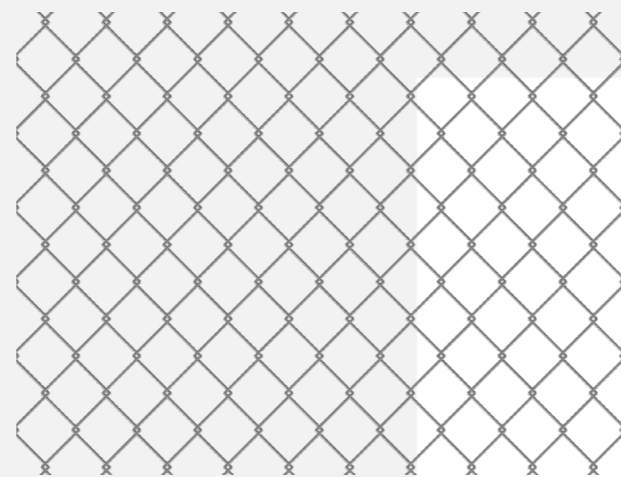


Chainlink Options:

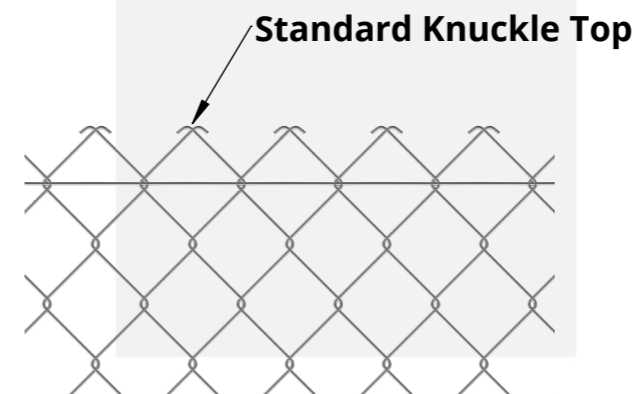
Top Connection Options:



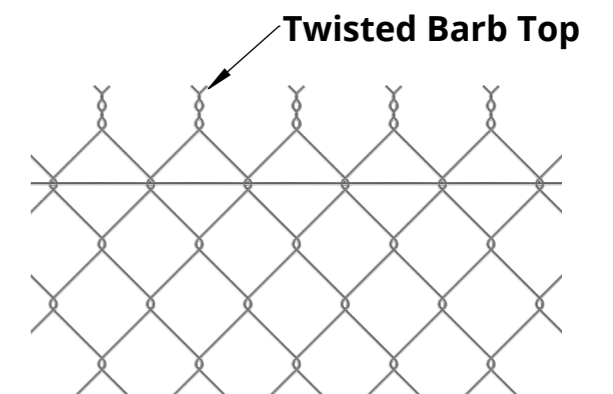
- 50 Diamond x 2.5mm ZincAlume Wire
- 50 Diamond x 3.1mm ZincAlume Wire
- 50 Diamond x 3.0mm Fusion Bond Black



- 25 Diamond x 2.5mm ZincAlume Wire
- 25 Diamond x 3.1mm ZincAlume Wire
- 25 Diamond x 3.0mm Fusion Bond Black



Standard Knuckle Top



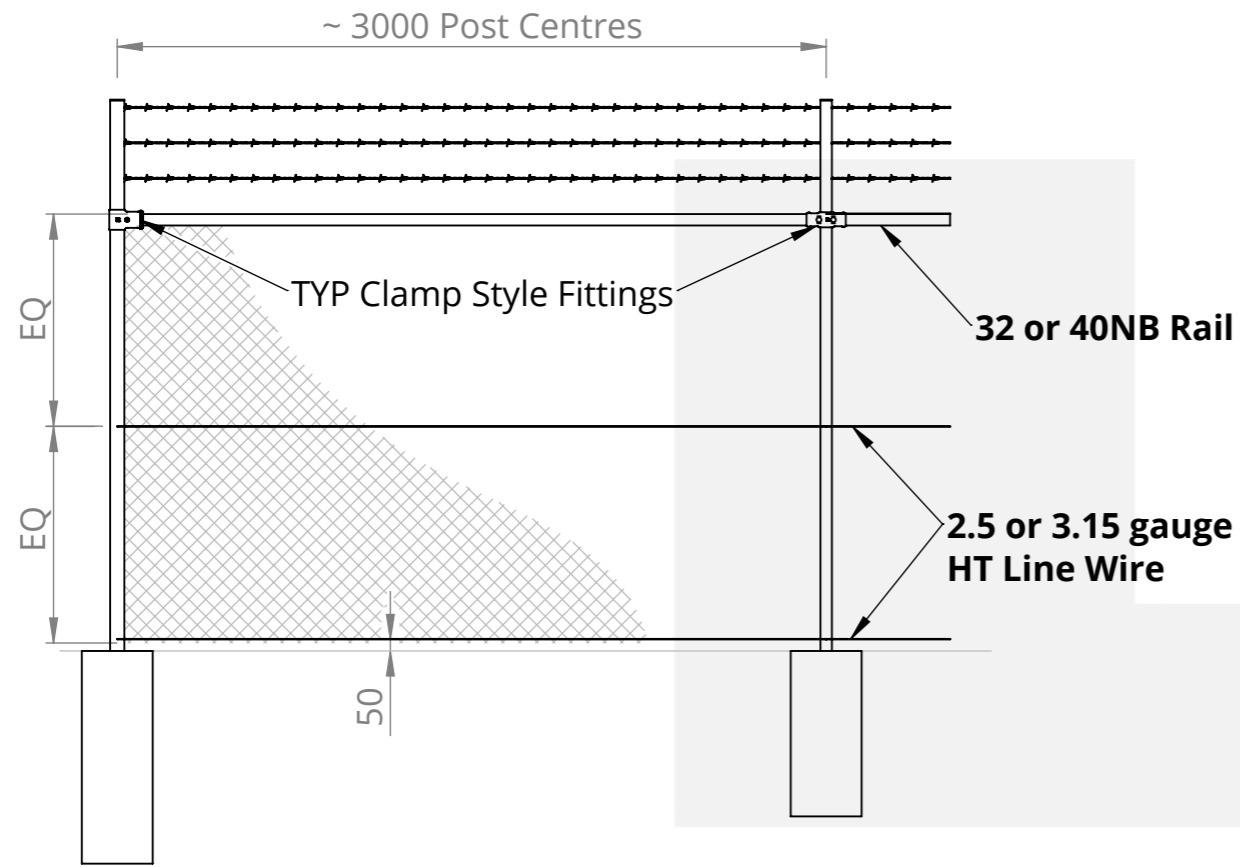
Twisted Barb Top

High quality corrosion resistant zinc alum or fusion bonded wire is used to meet the AS/NZS 4534 standards.
 Zinalume: 380-550 MPa, 125-135g/m2.
 Fusion bond wire: 400-500Mpa, standard galvanised W02

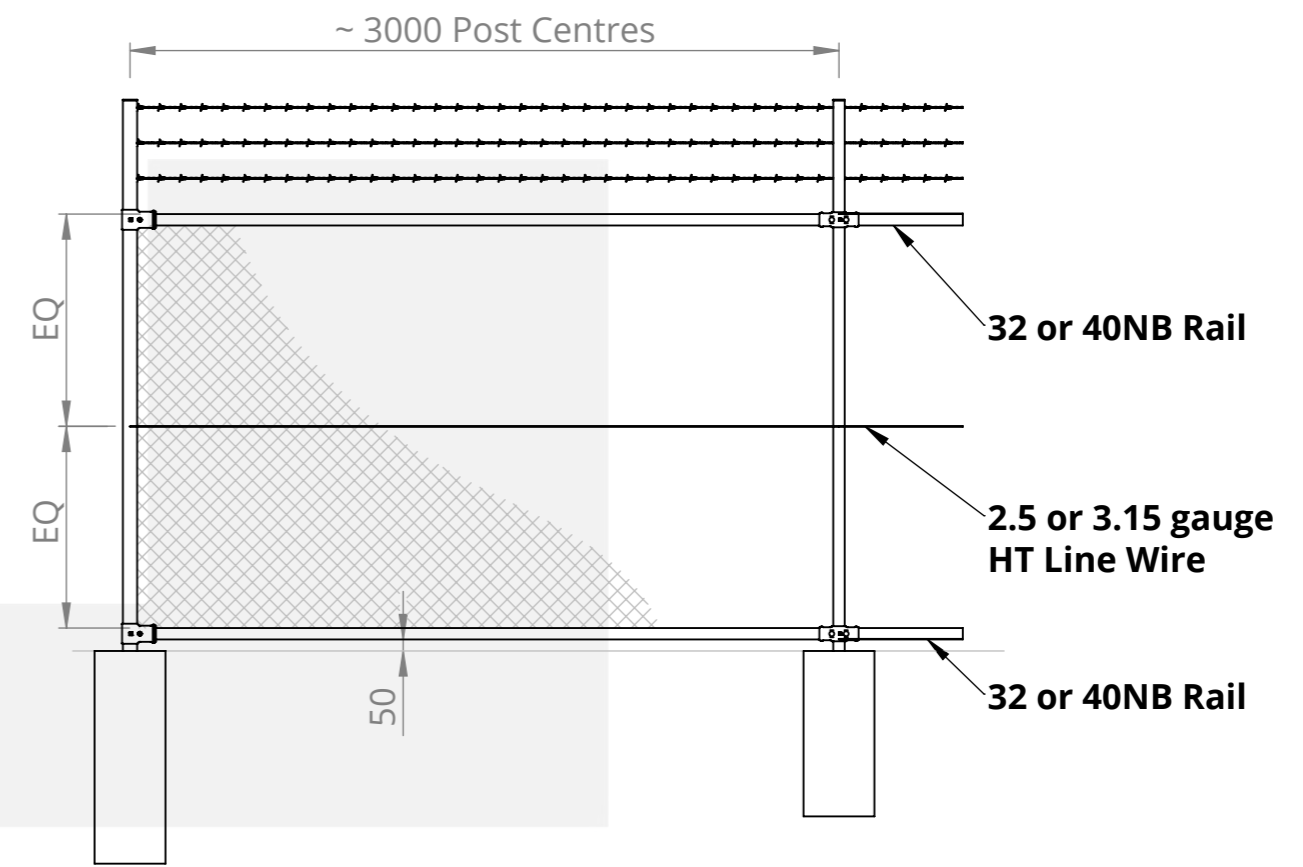


With Barbwire

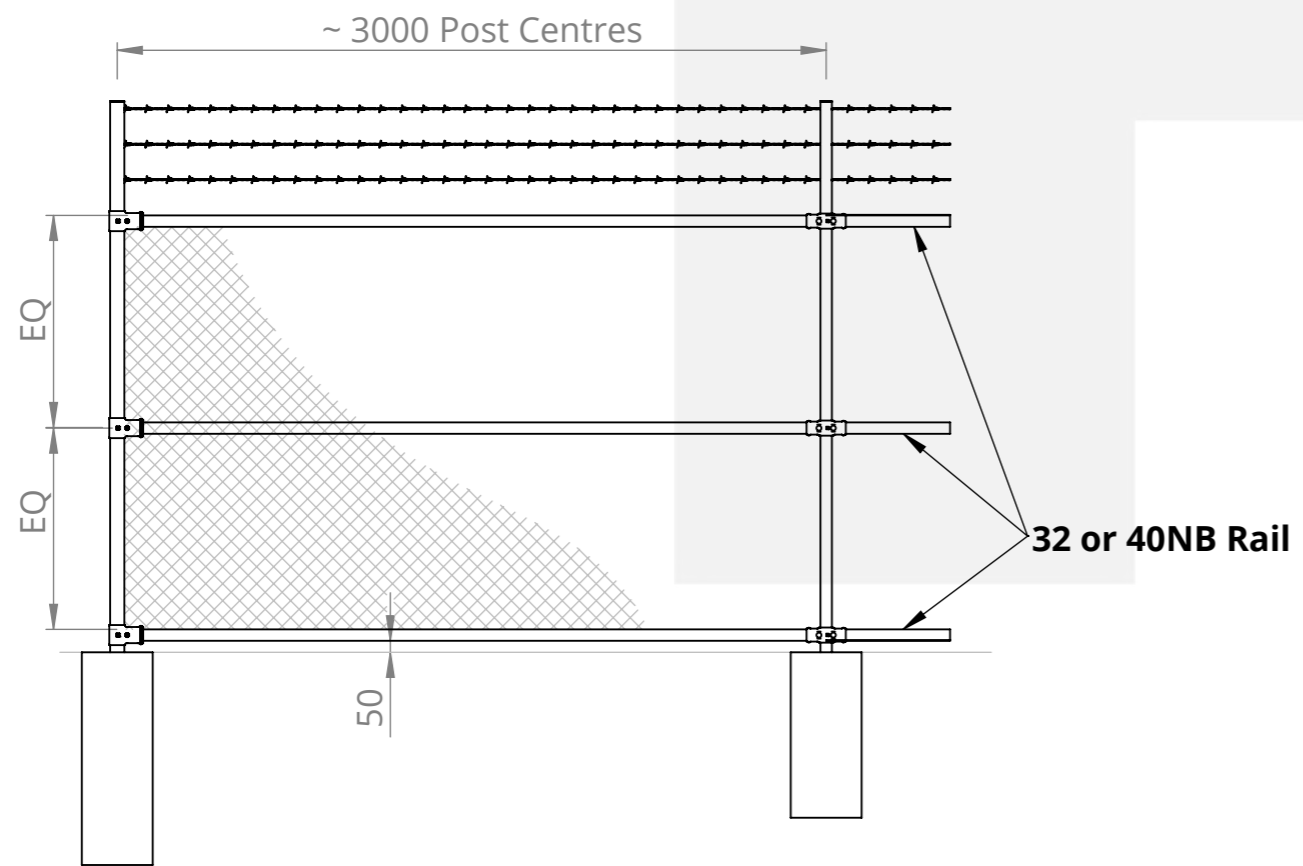
Top Rail Only Configuration:



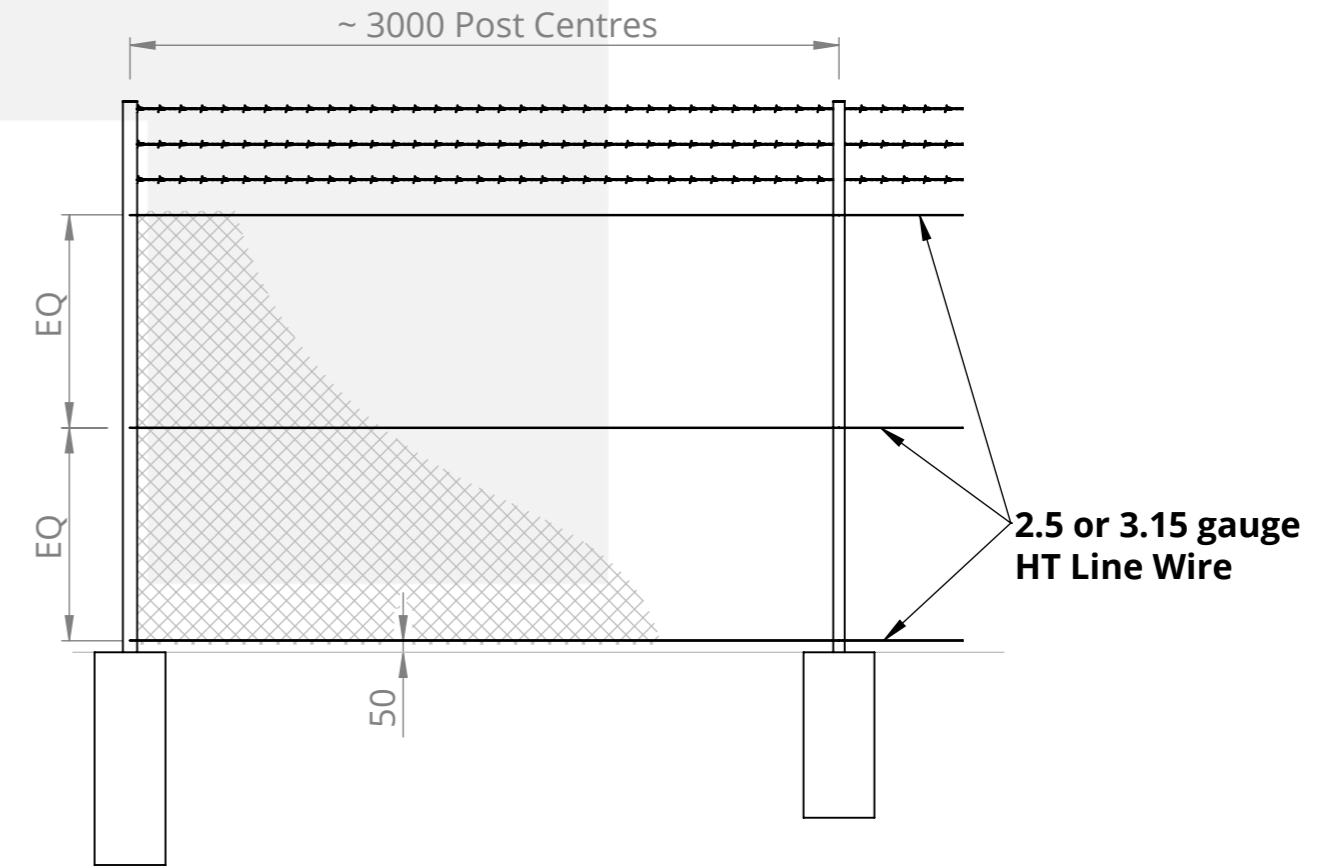
Top and Bottom Rails Only Configuration:



Top, Mid & Bottom Rails Configuration:

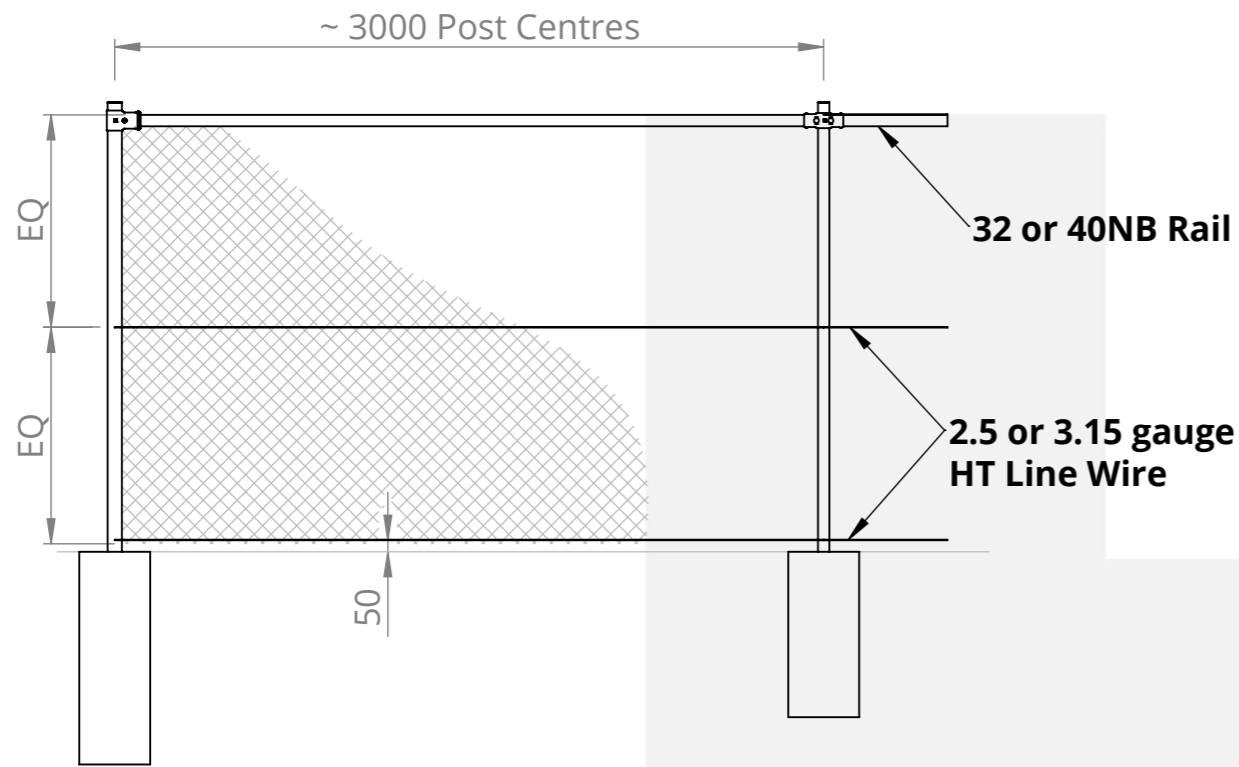


Line Wire Only Configuration:

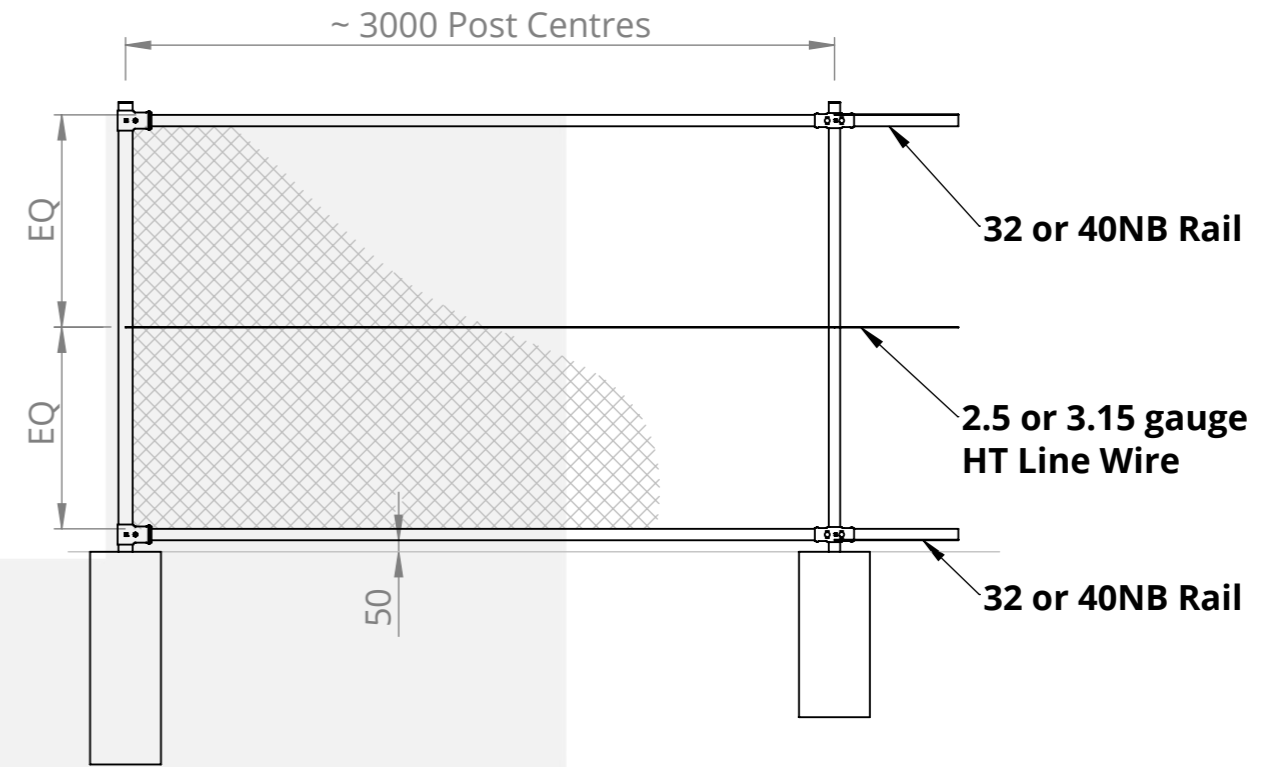




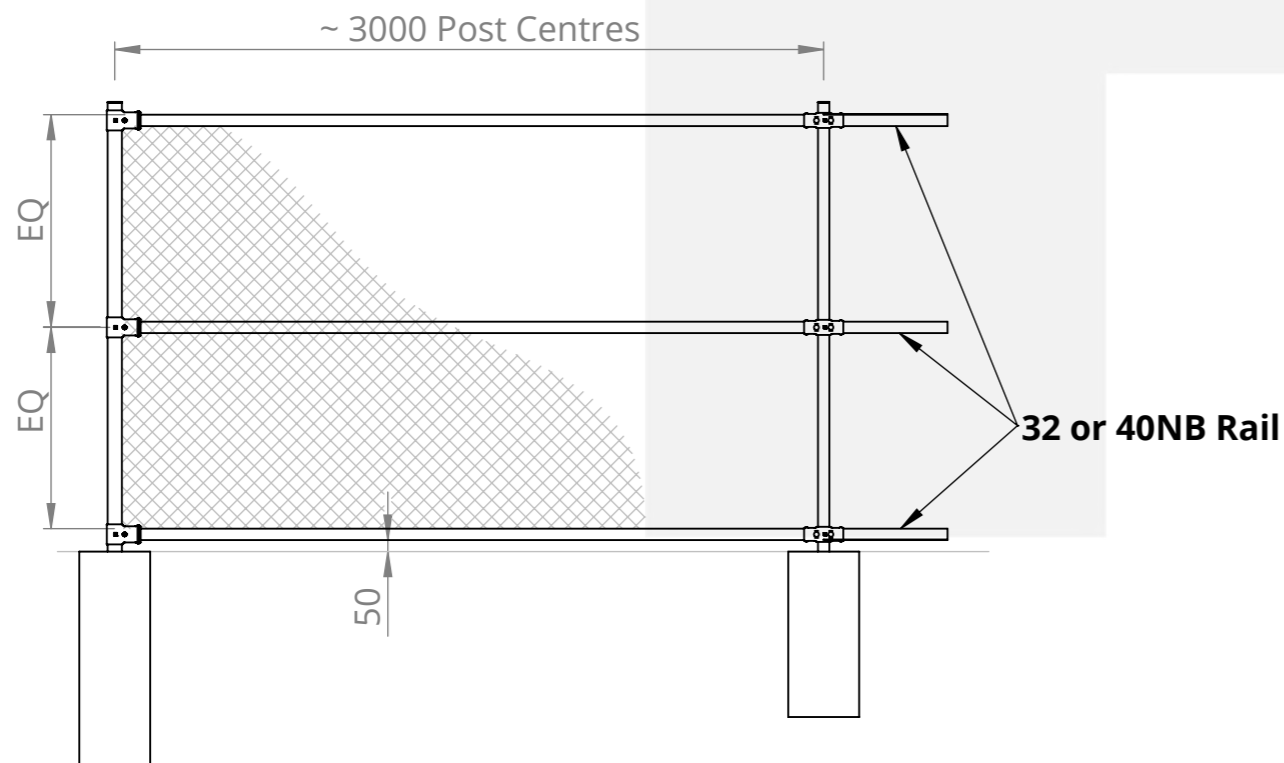
Top Rail Only Configuration:



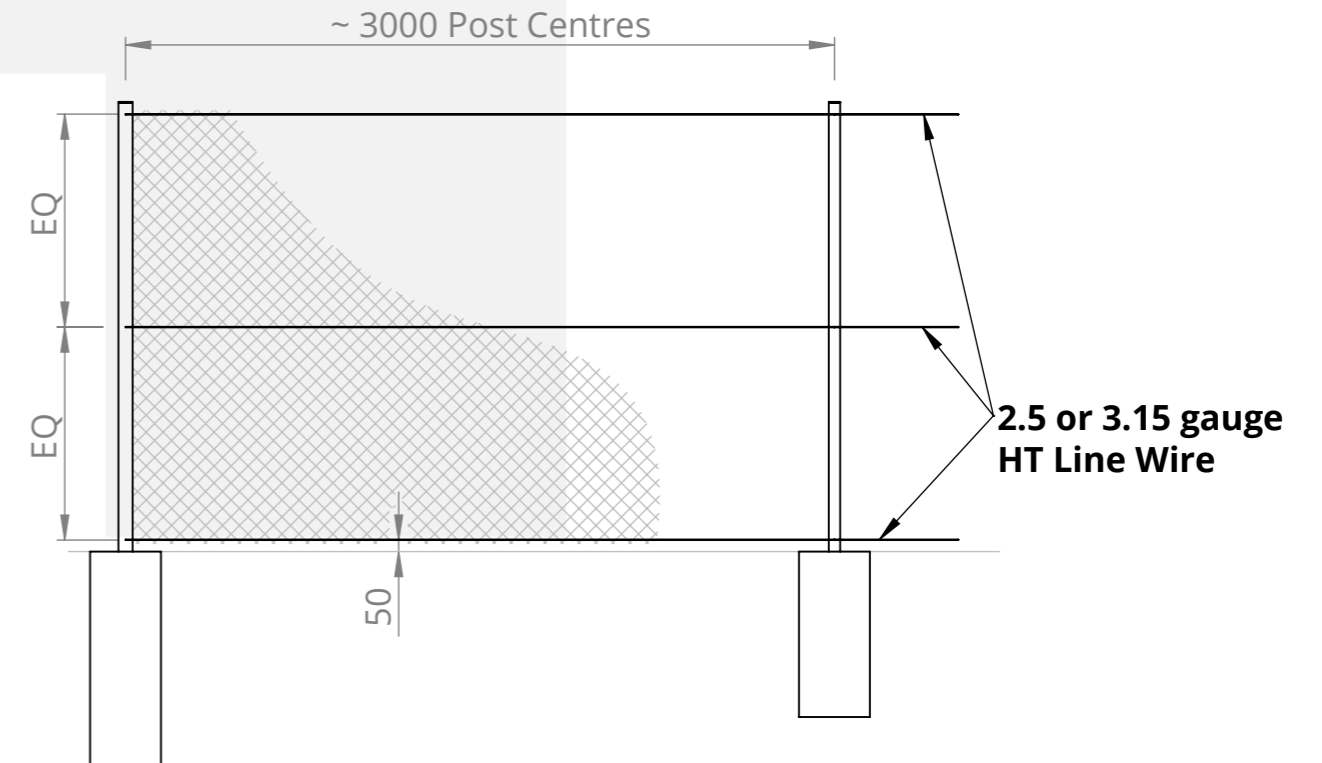
Top and Bottom Rails Only Configuration:



Top, Mid & Bottom Rails Configuration:

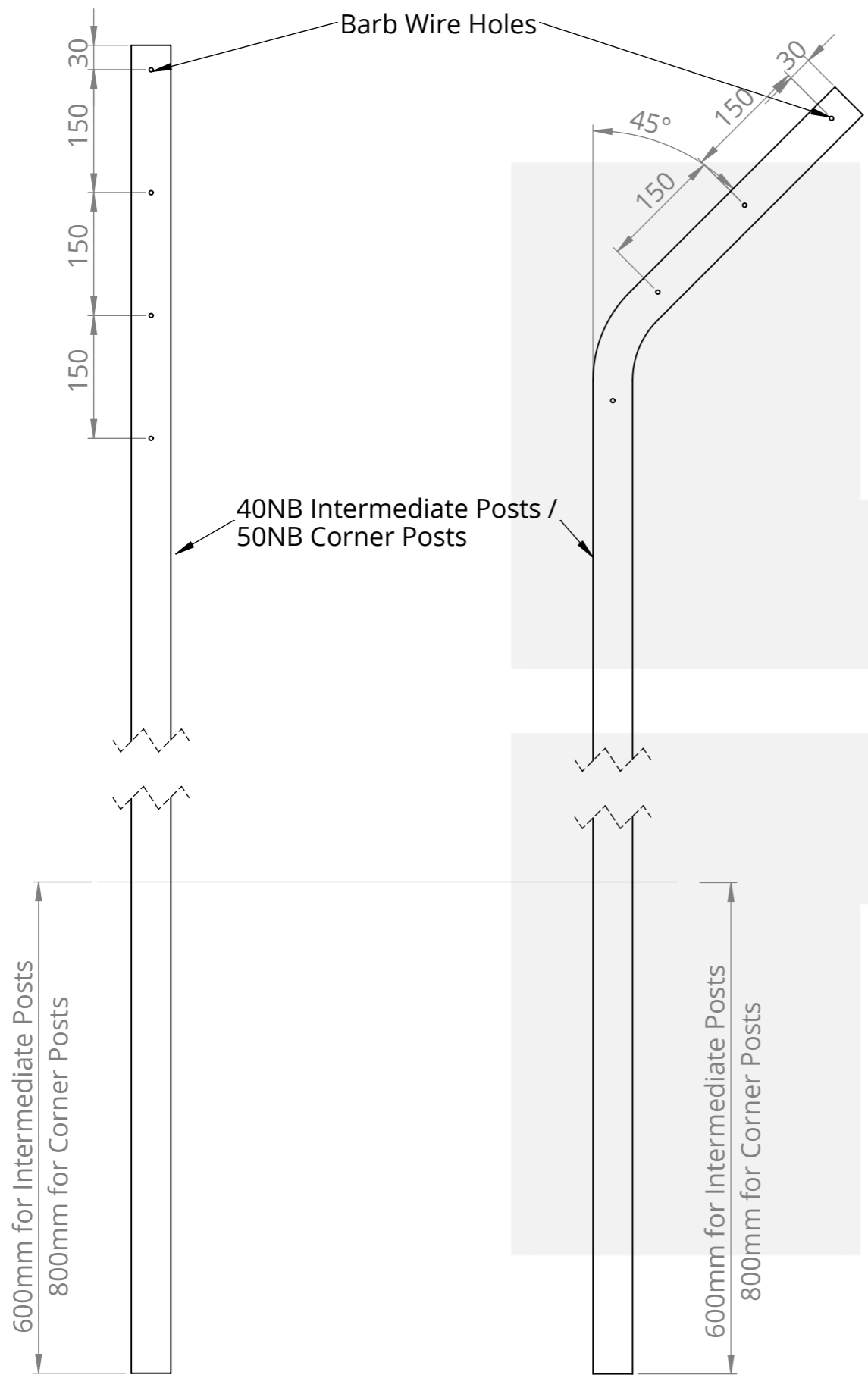


Line Wire Only Configuration:





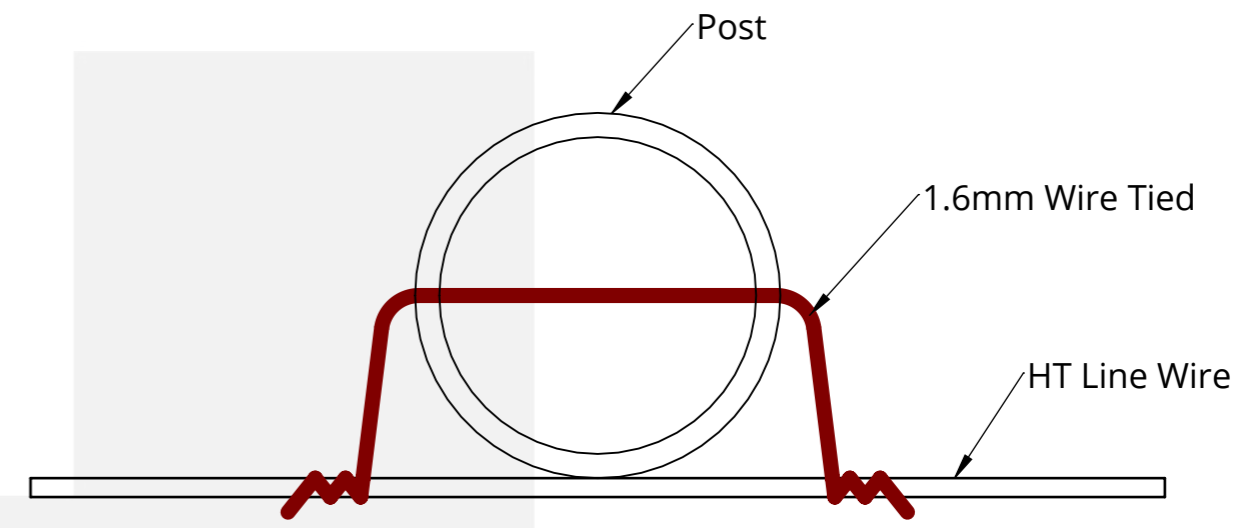
Post Options:



Straight Posts

Cranked Posts (Hockey Stick)

Thru Post Connection



Line Wire Connection

