

Design Option 1 Example
Typical / Standard

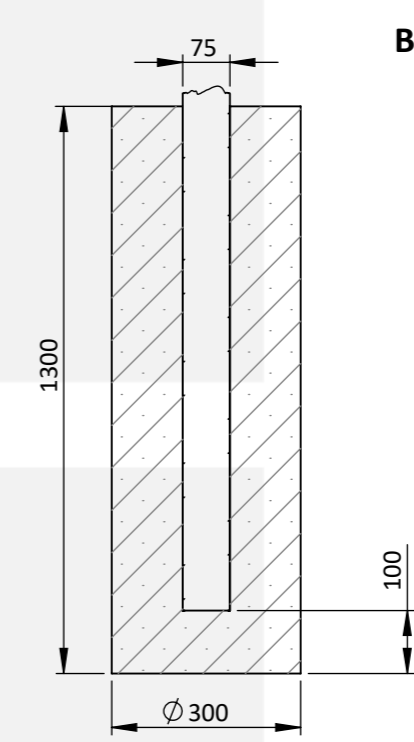
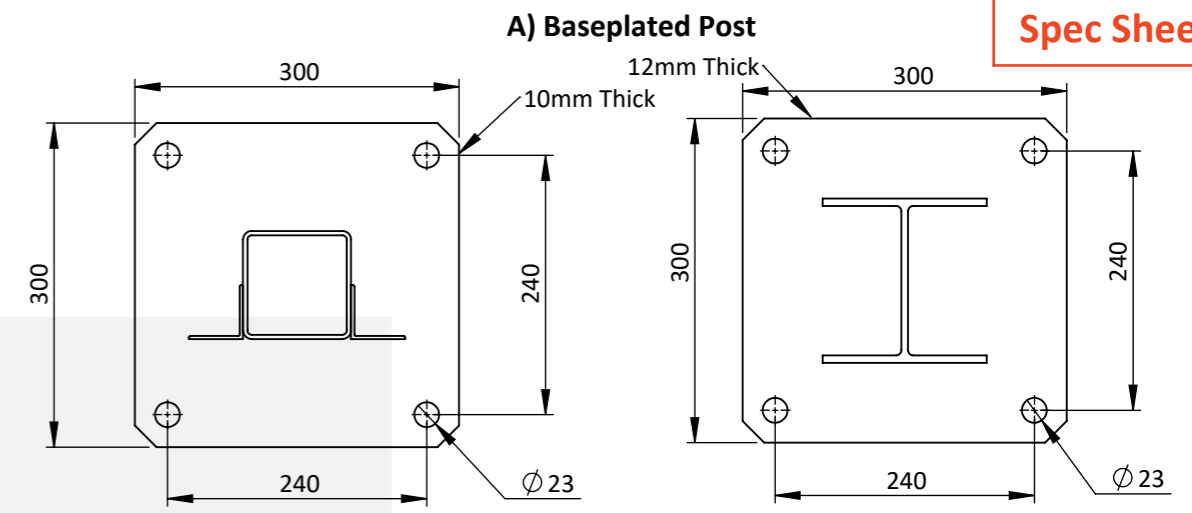
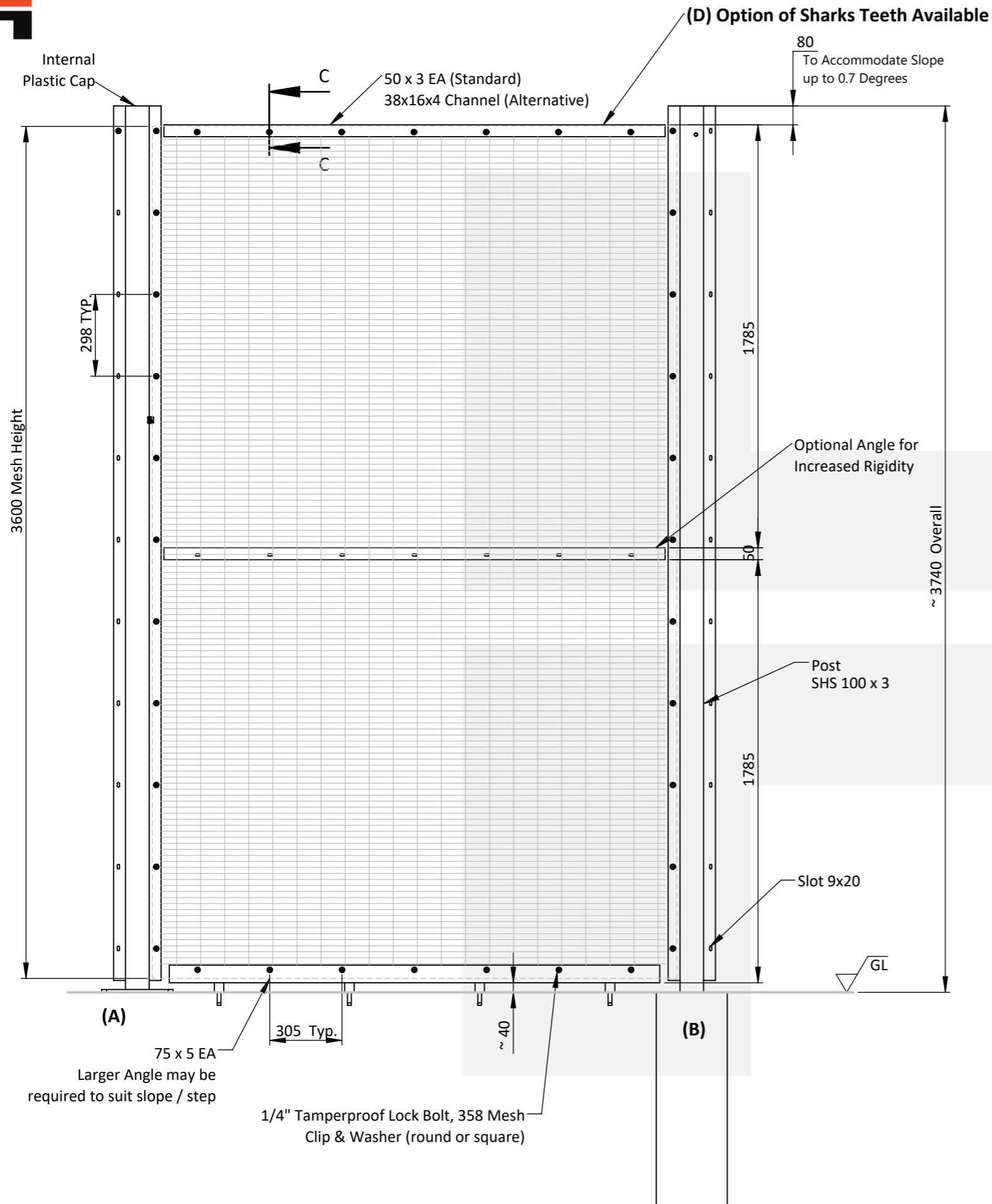
All Dimensions in mm

Revision: 7

Description : Typical 358 Anti-Climb Rigid Mesh Fence	
Material : Mild Steel	
Finish : Mesh Hot Dip Galvanised to AS/NZS 4680:2006, Posts & Rails Hot Dip Galvanized to AS/NZS 4680:2006	
Mesh Weight : 56 Kg	Drawn : HK
Notes :	
<ul style="list-style-type: none"> • Footing Dimensions subject to change to suit ground conditions • High Security Product • Options available for Powder Coating or Paint Systems • Other Custom Heights are Available on Request • Typical Panel can Accommodate upto 0.7 Degrees of Slope • Panels can step to suit larger slopes - Longer Posts, larger rails and/or Omission of Packers may be Required 	

Specs :

- Posts: SHS 75x3mm or UC Beams
- Mesh: 4mm Steel Wire with 72mm Horizontal Aperture and 8mm Vertical Aperture



**Design Option 1 Example
Typical / Standard**

Description : Typical 358 Anti-Climb Rigid Mesh Fence	
Material : Mild Steel	
Finish : Mesh Hot Dip Galvanized to AS/NZS 4680:2006, Posts & Rails Hot Dip Galvanized to AS/NZS 4680:2006	
Mesh Weight : 83 Kg	Drawn : HK
Notes :	
<ul style="list-style-type: none"> • Footing Dimensions subject to change to suit ground conditions • High Security Product • Options available for Powder Coating or Paint Systems • Other Custom Heights are Available on Request • Typical Panel can Accomodate upto 0.7 Degrees of Slope • Panels can step to suit larger slopes • Longer Posts, larger rails and/or Omission of Packers may be Required 	

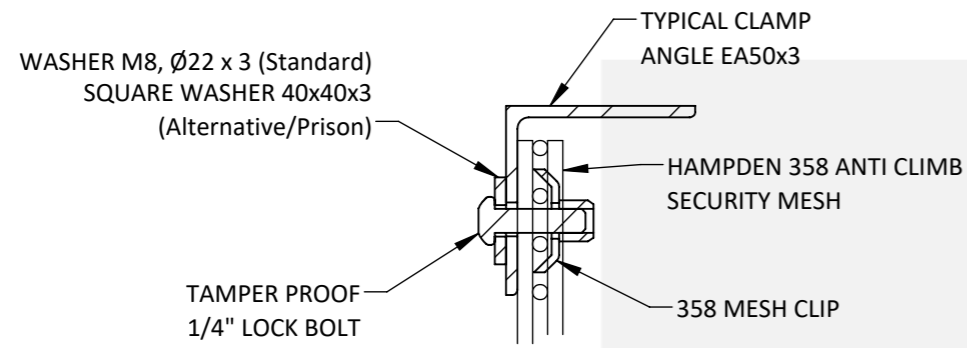
- Specs :**
- Posts: SHS 100x3mm or UC Beams
 - Mesh: 4mm Steel Wire with 72mm Horizontal Aperture and 8mm Vertical Aperture
 - Mid Rail added for Mesh Rigidity

All Dimensions in mm

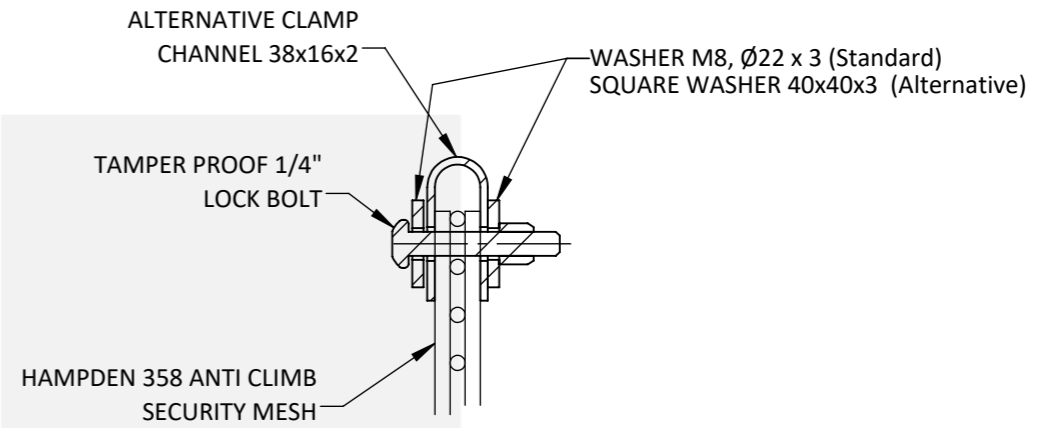
Revision: 7



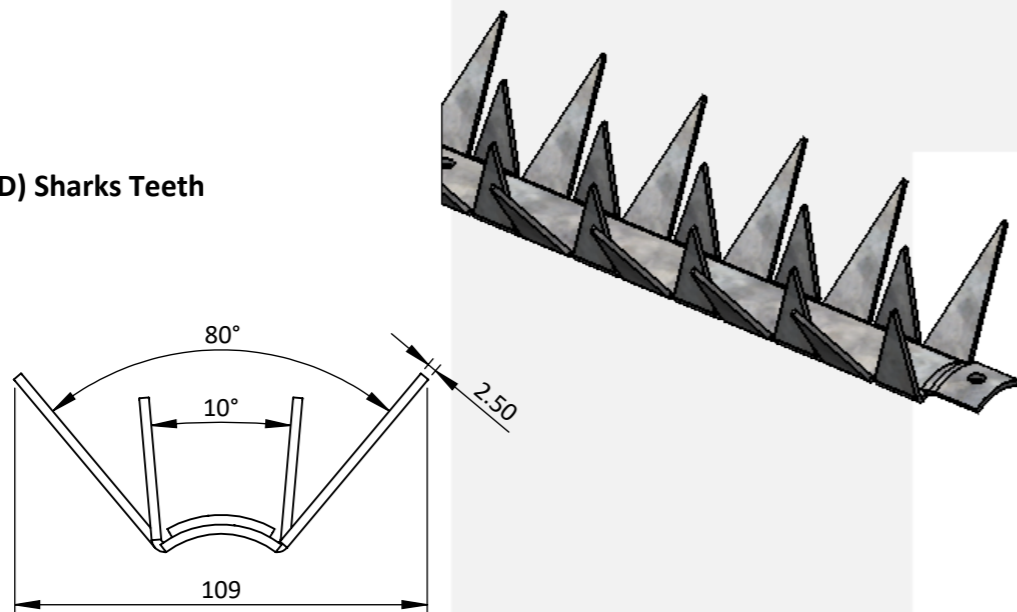
C) Fixing Detail, Option 1



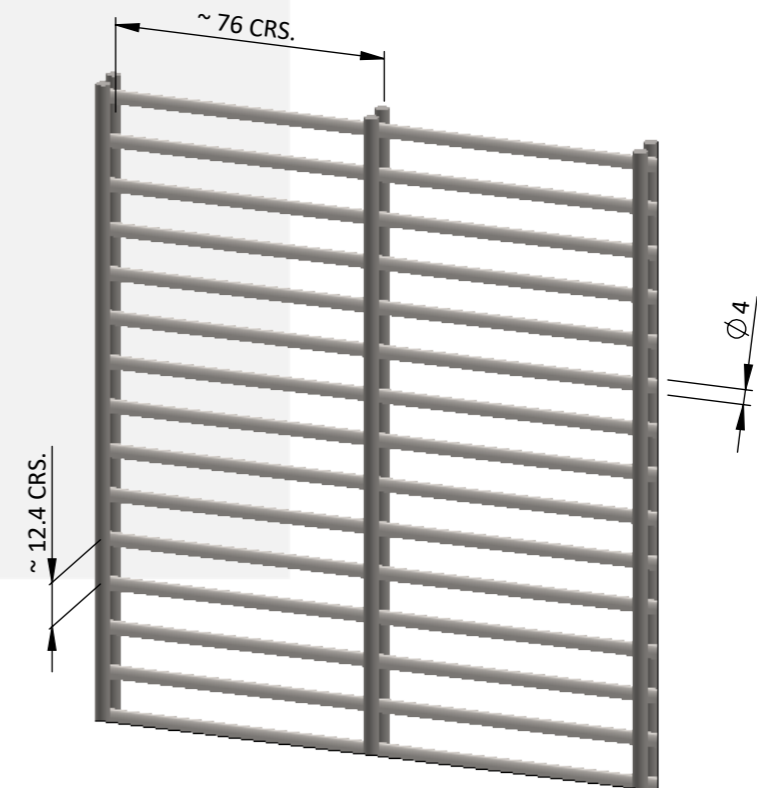
C) Fixing Detail, Option 2

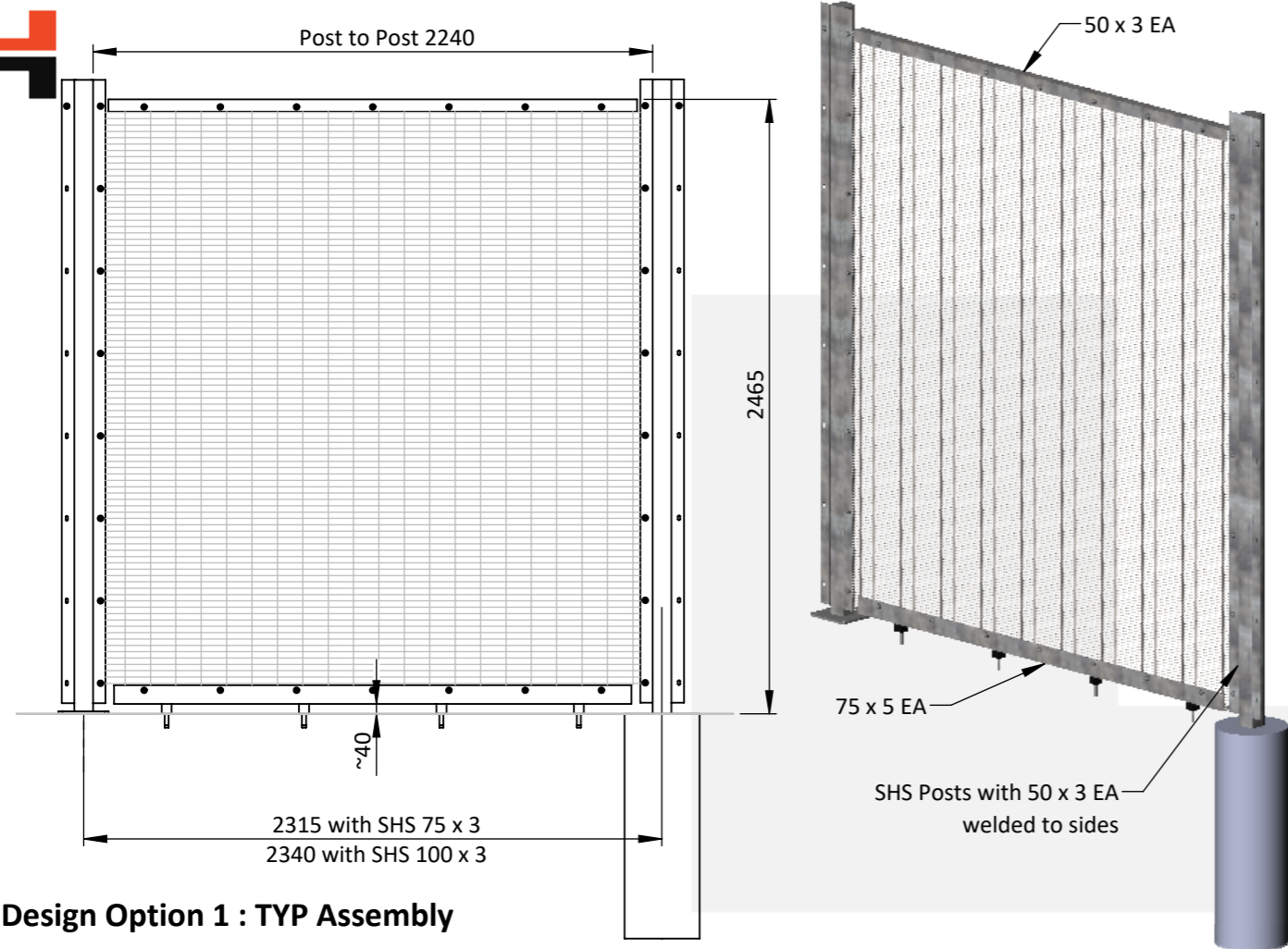


D) Sharks Teeth

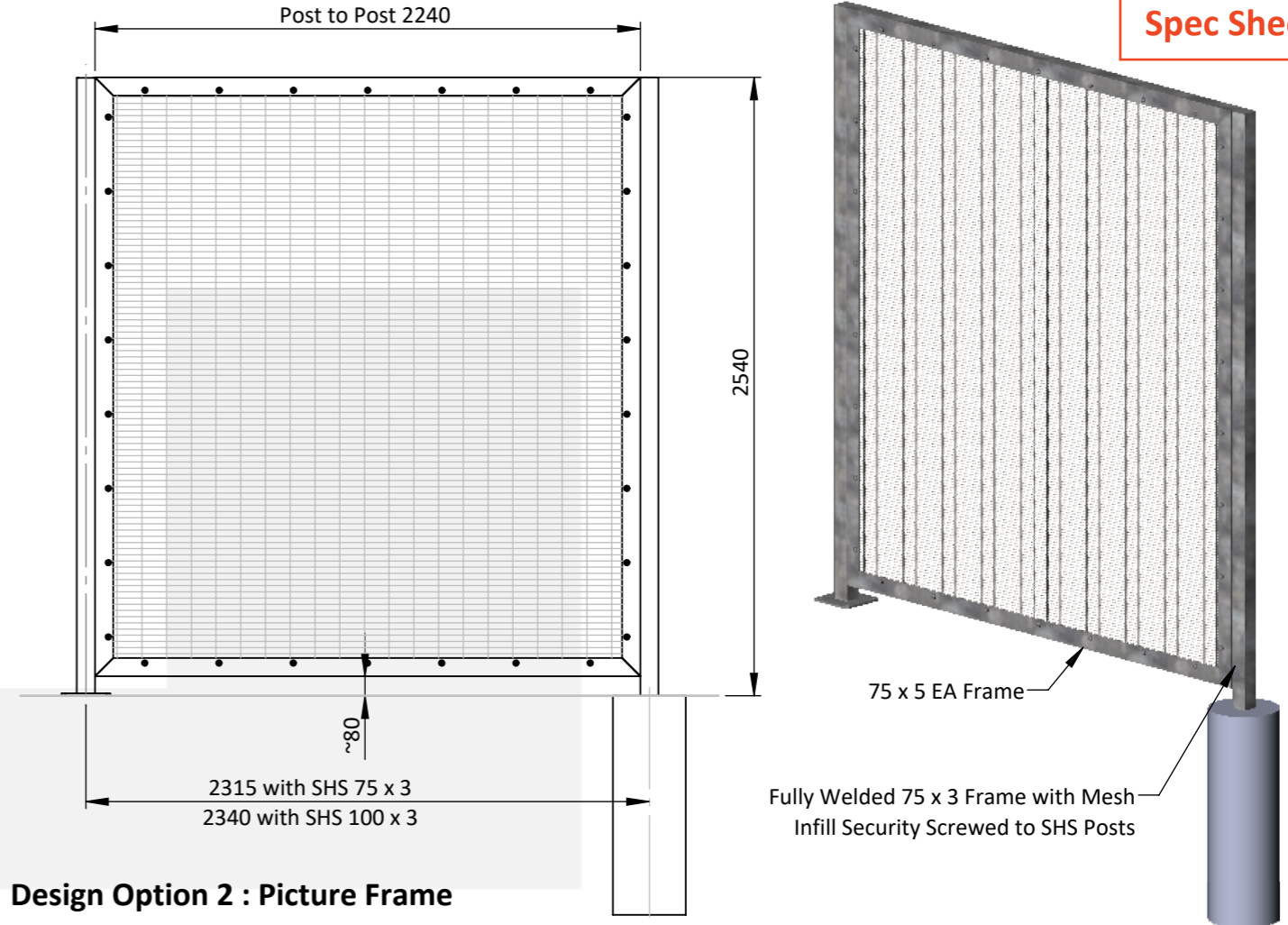


Mesh Detail

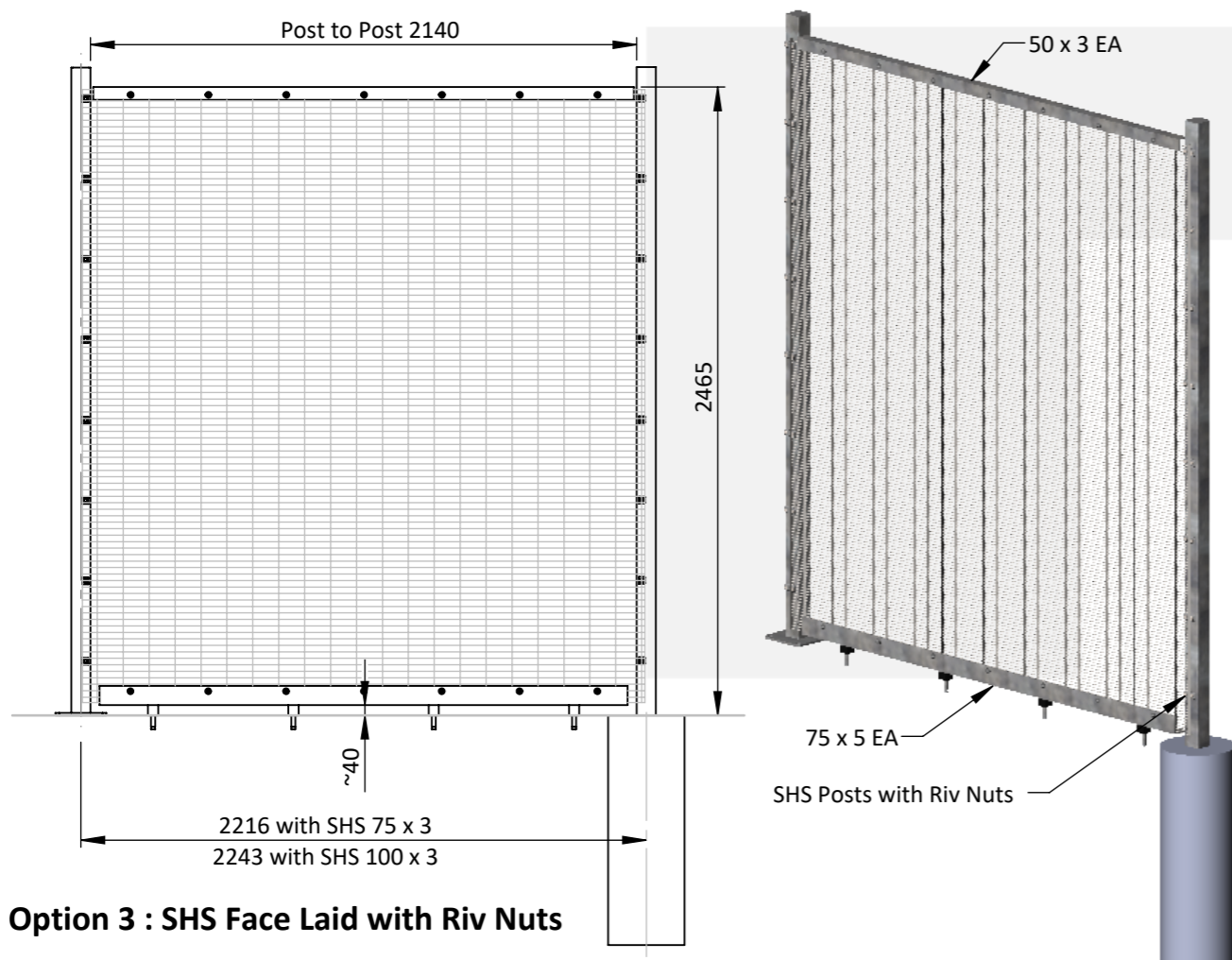




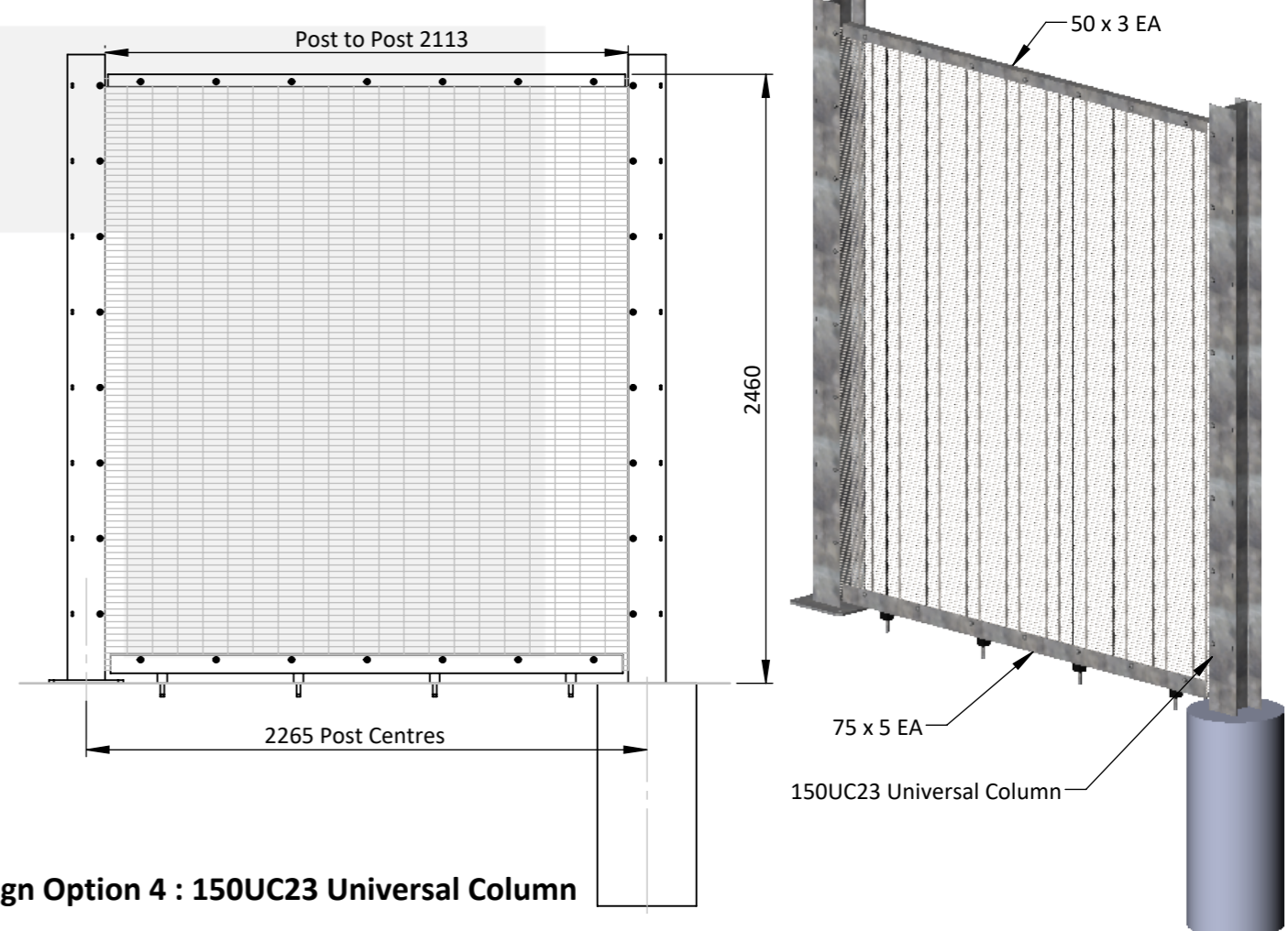
Design Option 1 : TYP Assembly



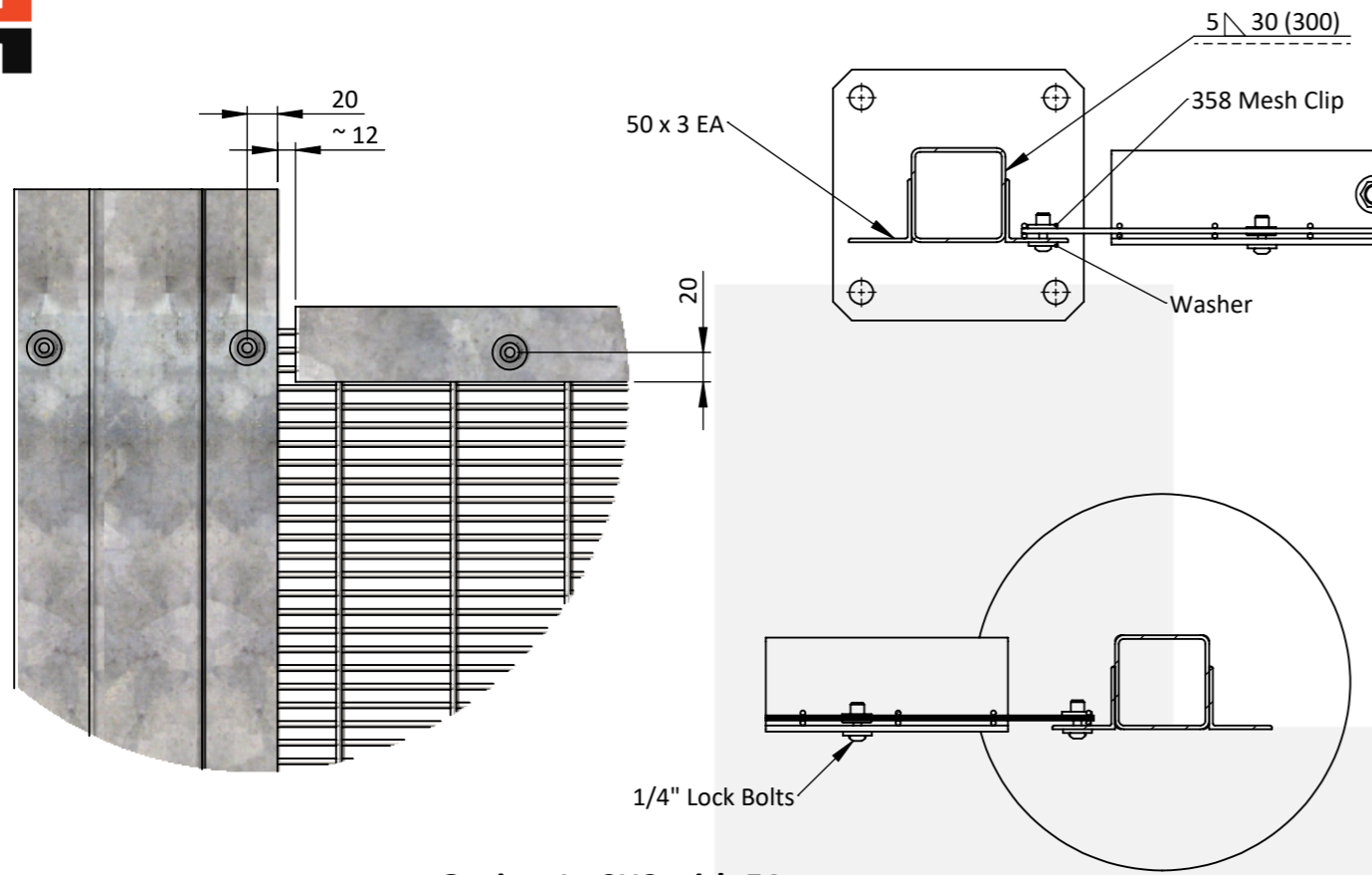
Design Option 2 : Picture Frame



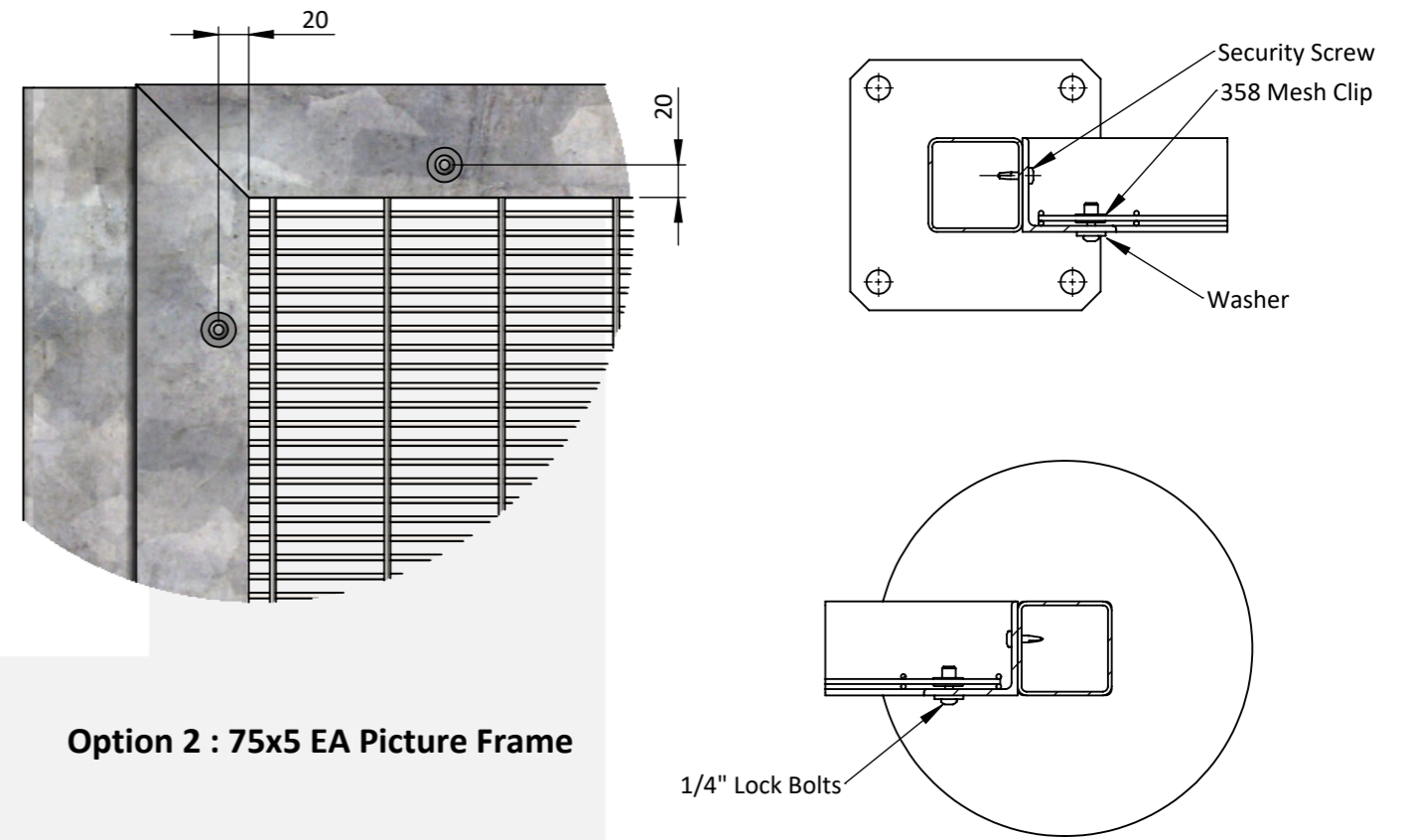
Design Option 3 : SHS Face Laid with Riv Nuts



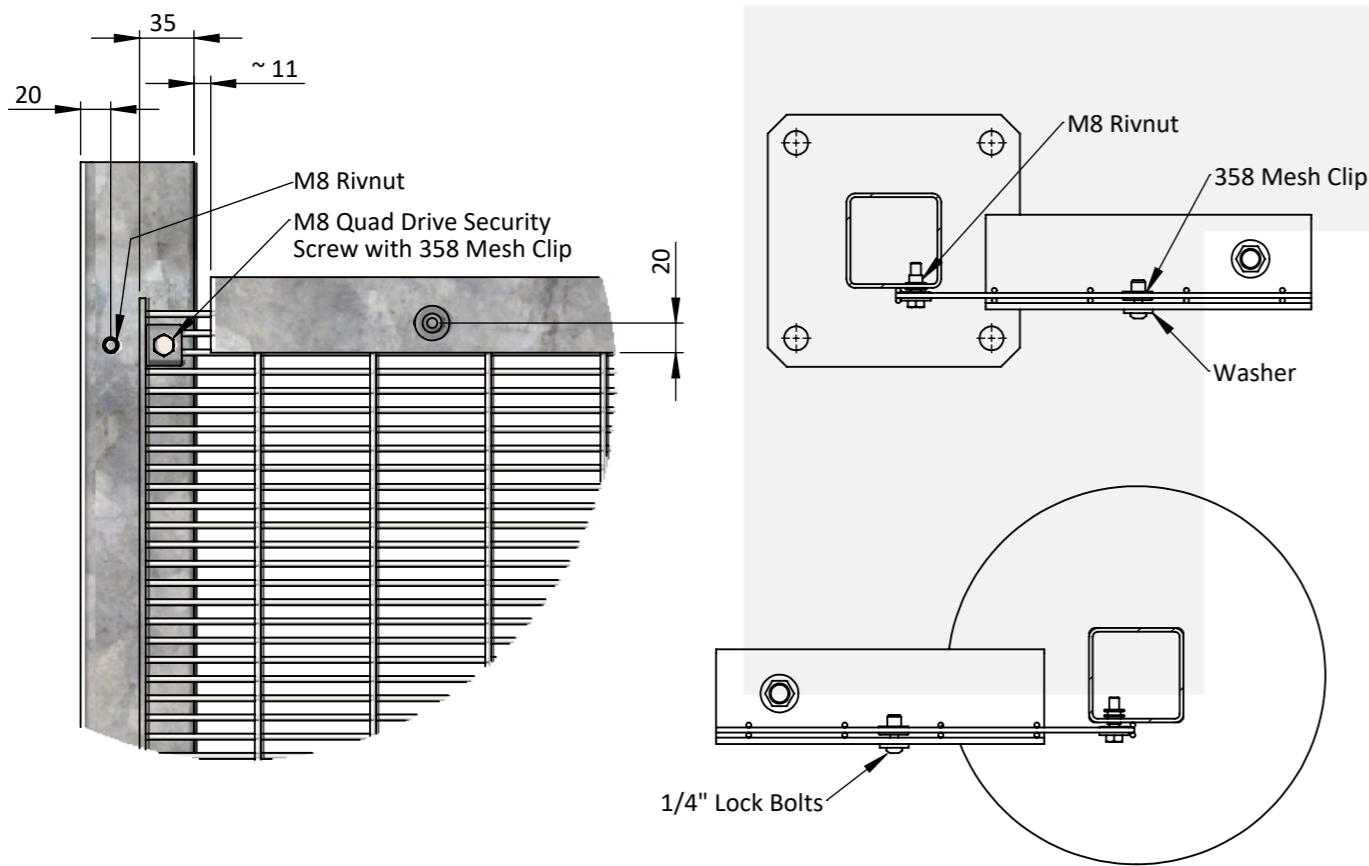
Design Option 4 : 150UC23 Universal Column



Option 1 : SHS with EA
Typical / Standard

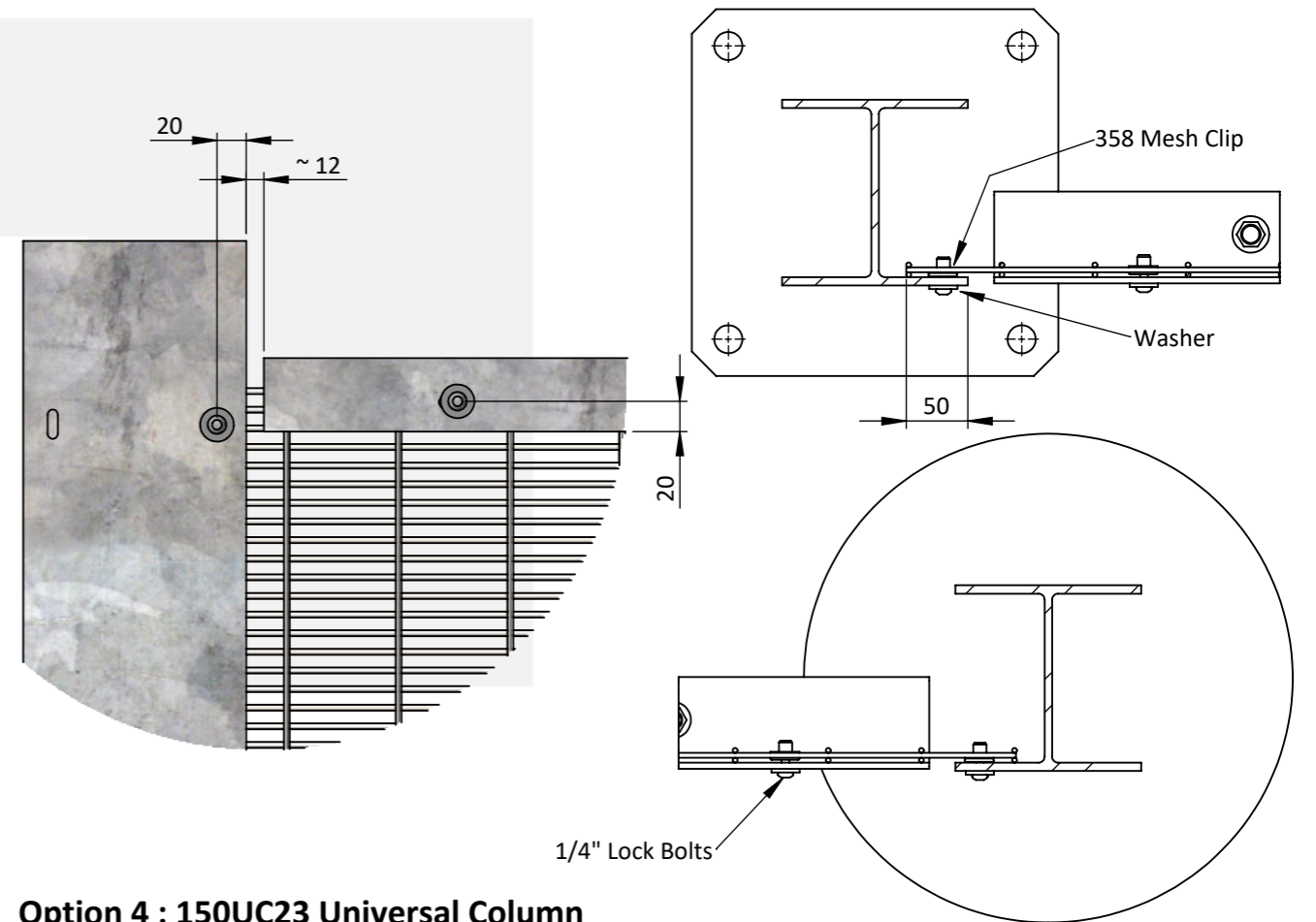


Option 2 : 75x5 EA Picture Frame



Option 3 : SHS 75x3 with Rivnuts

*Cover Plate Optional



Option 4 : 150UC23 Universal Column